

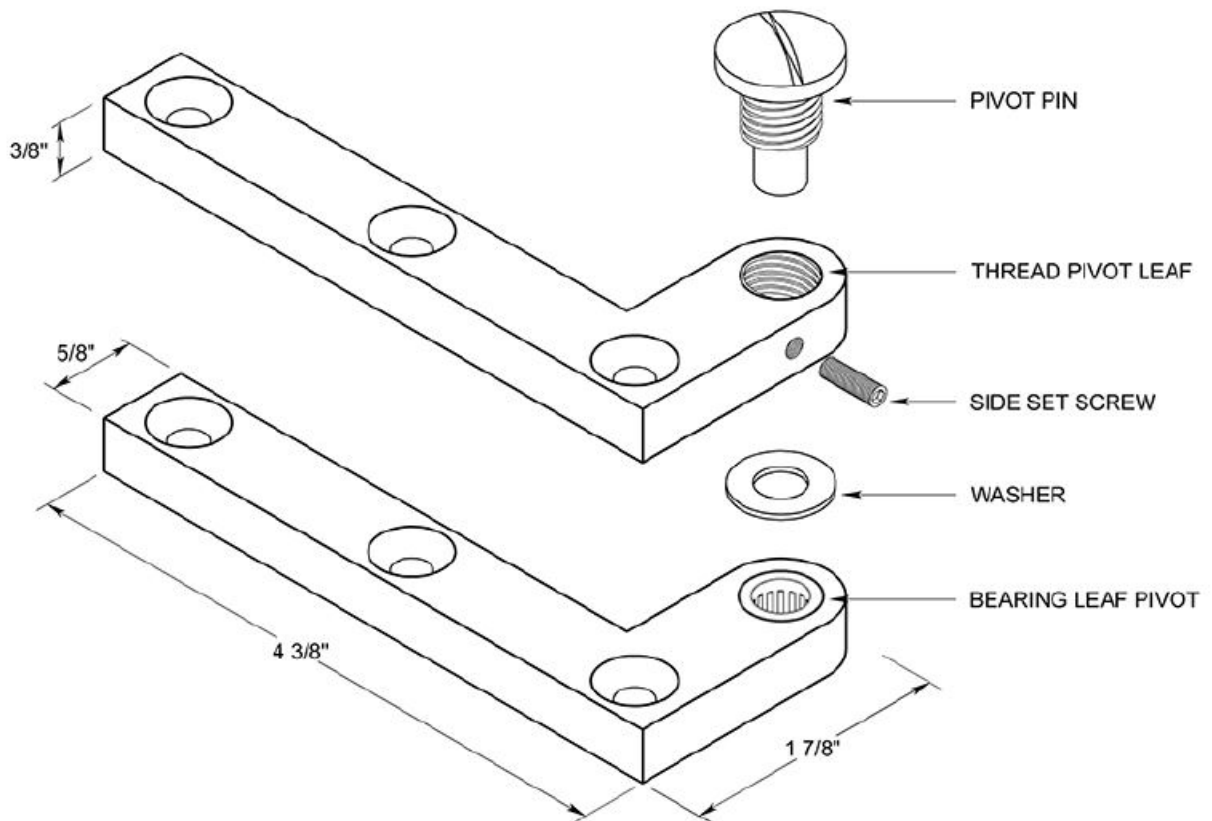


**TRADEMARK
HARDWARE**

WORLD OF QUALITY HARDWARE

Installation Guide

1. Disassemble the pivot as shown by unscrewing the side set screw.
2. Mortise the threaded pivot leaf at the bottom of the door.
3. Mortise the bearing pivot leaf into the floor.
4. Place the washer between the two leaves and thread the pivot pin down
5. Secure installation by tightening the set screw.



SKU: DPH60



www.tmhardware.com



845-388-1300



845-388-1388



sales@tmhardware.com