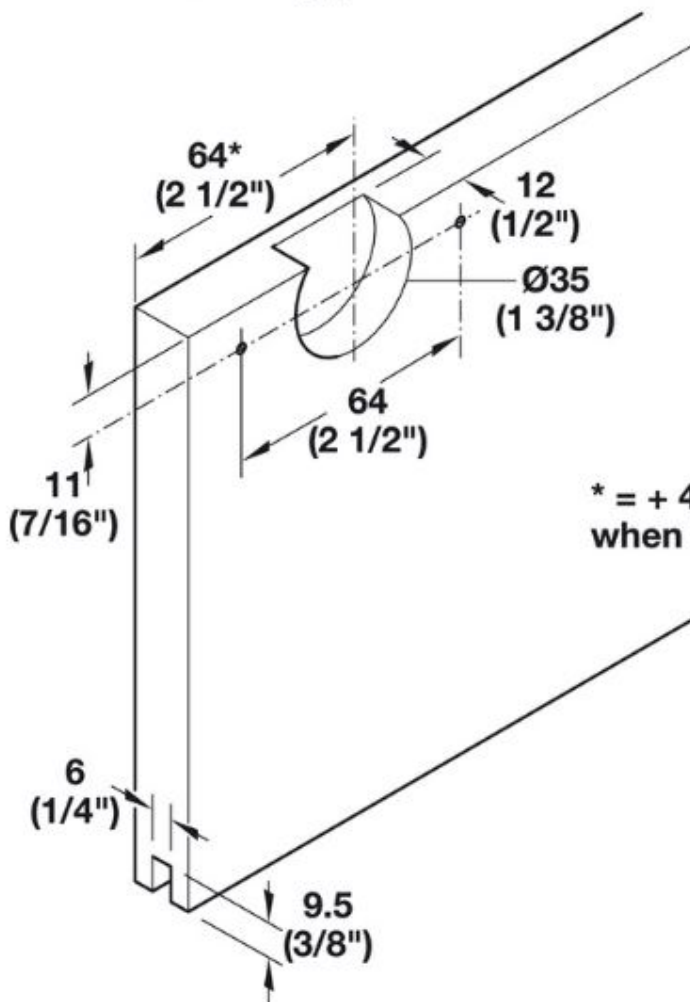




## Drilling pattern



\* = + 43 (1 11/16")  
when using service port

## Door overlap

